

LED Taxi Light



The purpose of this Dassault STC is to improve the reliability of Taxi Light by installing LED Light.



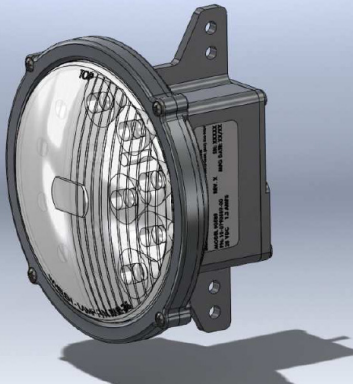
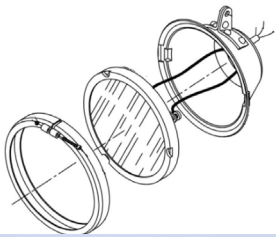
What the LED Taxi Light brings:

- Brighter light enhances visibility for increased safety
- Familiar PAR 36 style design is versatile and low profile
- Same fit and form
- Five-years warranty
- Approved by an FAA / EASA Dassault STC

For further details, please contact **your DFS**
Customer Support Representative :
Phone : +33 1 49 34 33 54
Fax : +33 1 49 34 20 94
sales@dassault-falcon.com



LED Taxi Light



Applicability

Falcon 900 / EX / EX EASy
Falcon 2000 / EX / EX EASy
Falcon 50 / EX

Schedule

Provisioning & studies: 1 week
Duration of works: 1 day

Replace your existing Taxi Light with an approved LED Light for improved reliability

This Dassault STC is applicable to Falcon 50/ EX, Falcon 900 series, Falcon 2000 series aircraft equipped with a nose landing gear light support (P/N D50135) and a Teleflex incandescent Taxi Light (P/N 4060622).

The main benefits include:

- Much lower current draw: LED consume 20% of the power of an incandescent bulb for the same amount of light.
- Not prone to shock or vibration damage when properly mounted, and operate at much cooler temperatures.
- Easy installation with no mechanical or wiring changes needed, requires very little maintenance.

For further details, please contact **your DFS Customer Support Representative** :
Phone : +33 1 49 34 33 54
Fax : +33 1 49 34 20 94
sales@dassault-falcon.com

